

# COPPER SB

## Technical Datasheet

### General Specifications

Model	Copper SB
Colour	Black
Charging Mode (IEC 61851-1)	Mode 3
Dimensions	260x192x113 mm
Weight	2 kg
Operating Temperature	-25 °C to 40 °C
Storage Temperature	-40 °C to 70 °C
Standards	CE mark (LVD 2014/35/EU, EMCD 2014/30/EU) IEC 61851-1, IEC 61851-22, IEC 62196-2

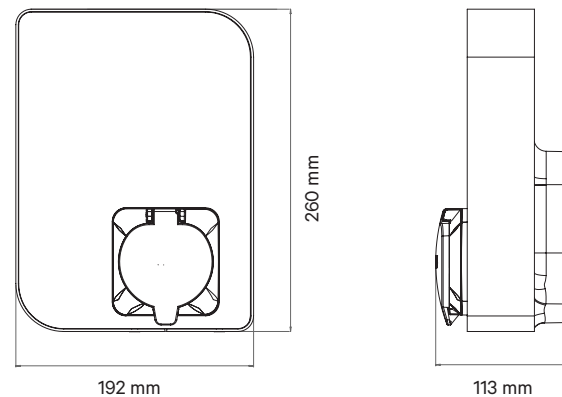
### User Interface & Communications

Connectivity	Wi-Fi, Ethernet, Bluetooth
User Identification	RFID, myWallbox App & Portal
User Interface	myWallbox App & Portal <sup>[3]</sup>
Charger Status Information	RGB LED, myWallbox App & Portal
Included Features	Power Sharing Smart
Optional Features	3G/4G Connectivity, Power Boost

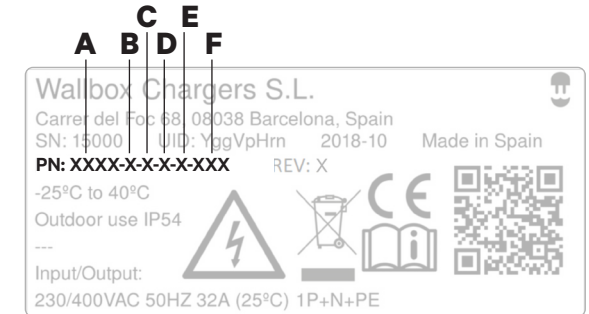
### Electrical Specifications

Charging Power	<b>11 kW</b>	<b>22 kW</b>
Rated Voltage AC ± 10%	400 V	400 V
Rated Current	16 A (3P)	32 A (3P)
Connector Type (IEC 62196-2)	Type 2 Socket (shutter optional)	
Cable Width	up to 5x 10 mm <sup>2</sup>	
Configurable Current	from 6 A to rated current	
Rated Frequency	50 Hz / 60 Hz	
Protection Rating	IP54 / IK08	
Surge Category	CAT III	
Residual Current Detection	DC 6 mA <sup>[1]</sup>	
RCCB	External RCCB required <sup>[2]</sup>	

### Dimensions



### Part Number Structure



	Code	Definition
<b>A</b> Model	CPB1	Copper SB
<b>B</b> Cable	S	Socket
	W	Socket with shutter
<b>C</b> Connector	2	Type 2
<b>D</b> Power	3	11 kW
	4	22 kW
<b>E</b> Additional Feature	8	RFID + DC Leakage
<b>F</b> Custom	XX2	Black

[1] Internal RDC-DD meets tripping time characteristics according to IEC 62955.

[2] Type A or Type B according to local regulations.

[3] OCPP compatible.